

INSTALLATION GUIDE, 240V

Furl Circle

FRAGILE FINISHES



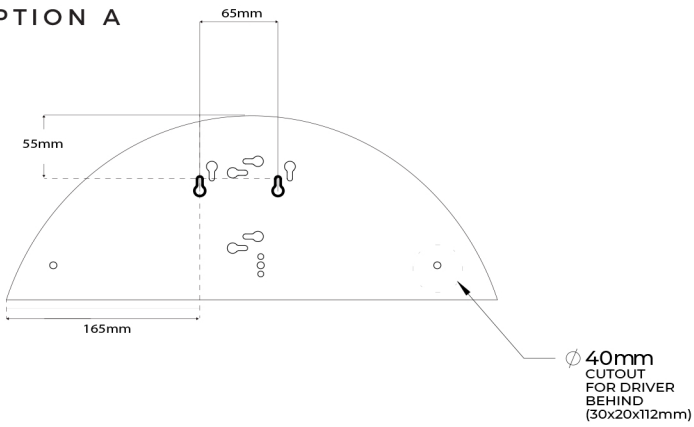
PLEASE WEAR GLOVES DURING INSTALL

INSTALLATION GUIDE, 240V

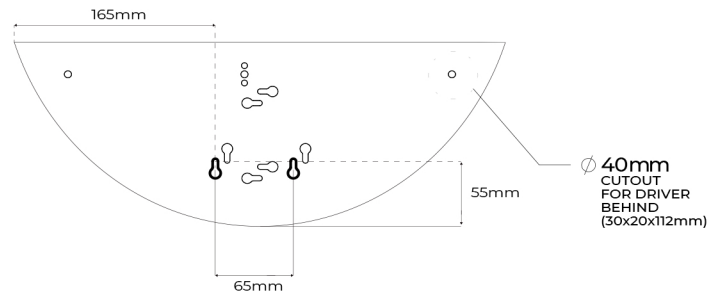
Furl Circle

Select your preferred mounting option below

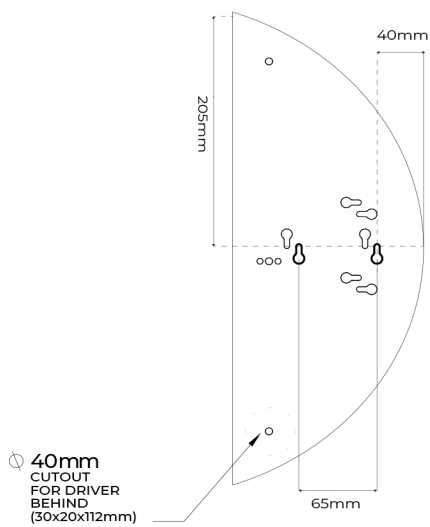
OPTION A



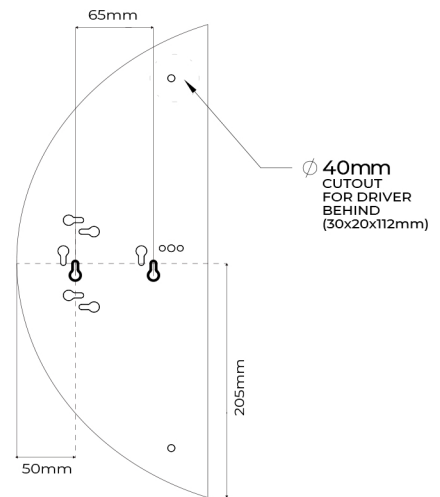
OPTION B



OPTION C

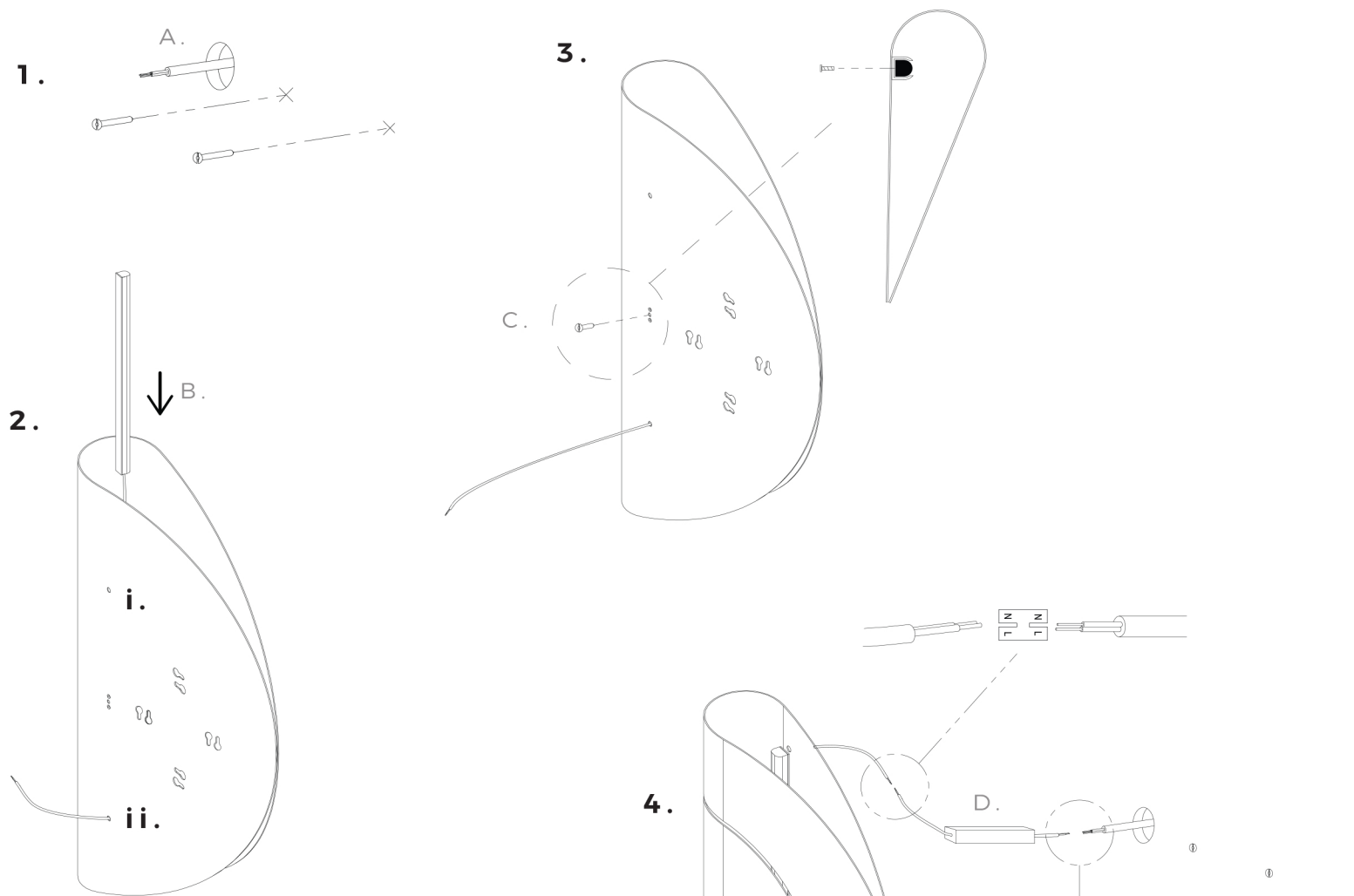


OPTION D



INSTALLATION GUIDE, 240V

Furl Circle



INSTRUCTIONS

1. Choose mounting Option A,B, C or D from “MOUNTING OPTIONS” and secure Wall Anchors into preferred position (not provided). NOTE: Do not screw anchors in completely, leave out from the Wall approximately 3-5mm.
2. Slide LED Tube (B) into clip and pull cable through back of fitting using provided holes (i or ii).
3. Using Bolt (C) provided, fix through the back of fitting and into the clip to secure the LED tube in place. CAUTION: Do not over tighten, over tightening may cause damage to LED tube.
4. Connect electrical leads from the LED Tube (B) to the leads from the Driver (D). Ensure the wires are secure and no bare wires are exposed, using an enclosed terminal block.
5. Connect electrical leads from the Wall (A) to the leads from the Driver (D). Ensure the wires are secure and no bare wires are exposed, using an enclosed junction box.
6. Secure Driver (D) in Wall cavity and drop the Wall light onto Anchors to secure into position.

