

Terra 1 Articulating Spot Light



MARZ DESIGNS

info@marzdesigns.com
+61 (02) 6680 4971

3/1 Boronia Place
Byron Bay NSW 2481

www.marzdesigns.com



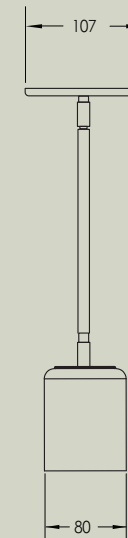
Terra 1 Articulating Spot Light

The Terra 1 Articulating Spot Light is designed with a functional 150° shade tilt allowing you to direct light exactly where you need it. This slimline fitting is supplied with a 700mm solid dropper, with brass, brushed black, brushed nickel or white satin metal finishes to choose from.

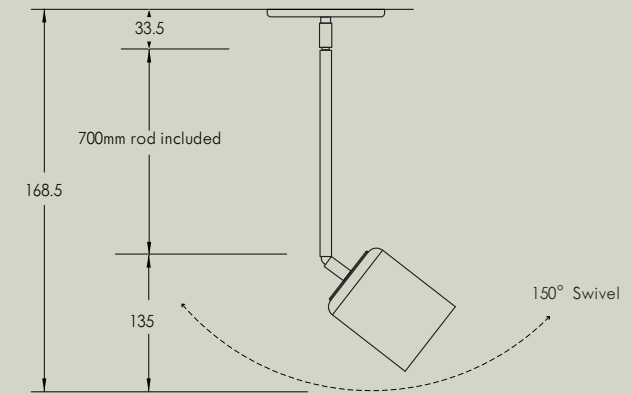
Details

Size (mm)	107Ø x 168.5d
Glass shade	60mm long
Lamp base	G9 push fit
Lamp	220-280V 4W 3000K 410lm LED 100-130V 4.5W 3000K 450lm LED
Voltage	220-280V or 100-130V
Dimmable	Lamp included is compatible with most brand name dimmers
Weight	Under 1kg
IP	IP20 or IP44
Certification	CE UK CA
Note 1	Light fixture is installed from the ceiling
Note 2	Ceramics are turned by hand on the wheel and can vary slightly in form and size which is considered a hallmark of the handmade

Front view



Side view



Finishes



Brushed Brass



Brushed Black Aluminium



White Satin



Brushed Nickel



Chartreuse Ceramic



Fog Ceramic



Clay Ceramic



Olive Ceramic



Lead Ceramic



Vanilla Bean Ceramic



Clear Frosted Glass