

Aurelia Pendant Light

The Aurelia Pendant Light is available in either white or jade stone. This simple yet intricate shade produces both direct and diffused illumination through its translucent stone. The Aurelia Pendant forms part of a new celestial range of residential and commercial lighting, combining contemporary and classic parts through a chandelier-style presence.

Details

Size (mm)	815h x 170w x 170d
Glass shade	60mm
Lamp base	G9 push fit
Lamp	220-280V 5W 3000K 370lm LED 100-130V 4.5W 3000K 450lm LED
Voltage	220-280V or 100-130V
Dimmable	Lamp included is compatible with most brand name dimmers
Weight	4.3kg
IP	IP44
Certification	CE UK A
Note 1	Stone is a natural product and can vary in colour, tone and vein.
Note 2	Heavy item. Reinforcement behind substrate may be required. Please check with installer prior to installation. Suitable fixings required.

Finishes



Brushed Brass



Brushed Black Aluminium



White Satin



White Onyx



Jade Onyx



White Frosted Glass

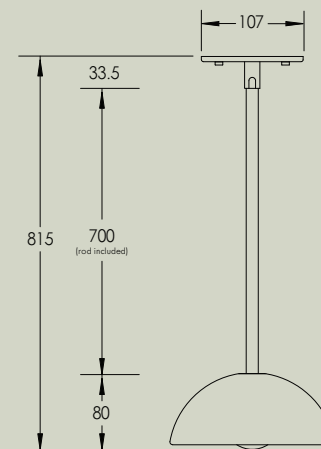


Clear Frosted Glass

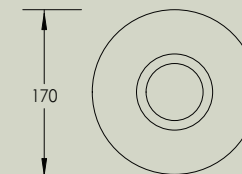


Opal Glass

Side view



Bottom view



Pendant details

Supplied with a fully customisable solid metal rod and hang straight.



Solid Rod

5 x Rod lengths available. Connect as many rods together to achieve your desired drop length. Supplied with a "hang-straight" which allows the pendant to be installed on an angled ceiling.

Standard rod length included: 700mm

Other rod lengths include (mm): 90 / 127 / 300 / 500 / 700
The maximum overall rod combination length is 3m.

Finishes



Brushed
Brass



Brushed
Black
Aluminium

