

Lini Pendant

The elongated fluted cylindrical form of the Lini Pendant contributes to the linear architectural appeal of the Lini range. When illuminated, the Lini fixture emits a diffused warm light through layers of opaque and clear glass.

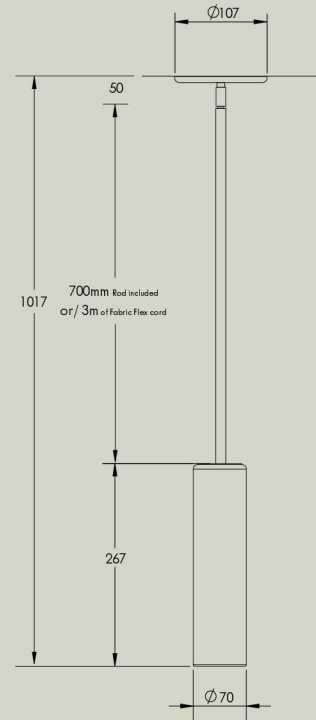
Details

Short Size (mm)	Solid Rod 107w x 107d x 1017h Fabric Flex 107w x 107d x 267h
Tall Size (mm)	Solid Rod 107w x 107d x 1150h Fabric Flex 107w x 107d x 400h
Lamp base	G9 push fit
Lamp	220-280V 5W 3000K 370lm LED 100-130V 4.5W 3000K 450lm LED
Voltage	220-280V or 100-130V
Dimmable	Lamp included is compatible with most brand name dimmers
Weight	Under 2kgs
IP	IP44
Certification	CE UK CA

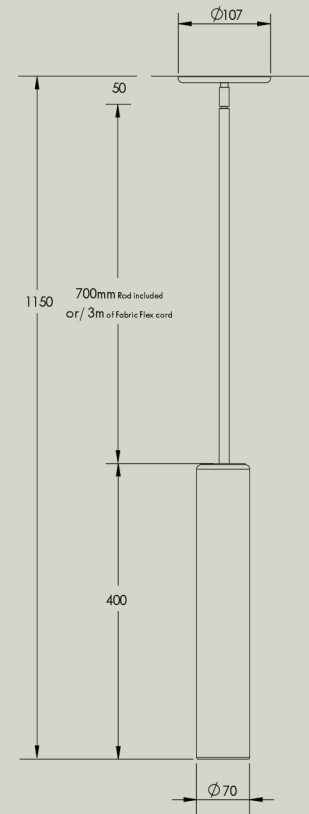
Finishes



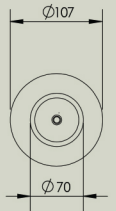
Side view, Short



Side view, Tall



Bottom view



Pendant options

Choose between either a solid rod or fabric flex



Solid Rod Details

5 x Rod lengths available. Connect as many rods together to achieve your desired drop length. Supplied with a "hang-straight" which allows the pendant to be installed on an angled ceiling.

Standard rod length included: 700mm

Other rod lengths include (mm): 90 / 127 / 300 / 500 / 700
The maximum overall rod combination length is 3m.

Finishes



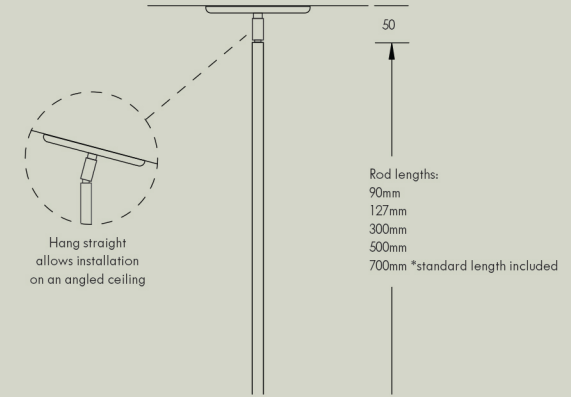
Brushed
Brass



Brushed
Black
Aluminium



White
Powder
coat



Fabric Flex Details

Pendant light with fabric flex comes with 3 metres of beige fabric cord that can be cut and adjusted to your desired length on-site.

Finishes



Beige
Fabric Cord

